

VIADRUS

Hercules U26

Cast-iron solid fuel boiler

Hercules U26 is designed for burning of coke, hard coal and firewood (wood briquettes) in the conventional burn-through process. It is very easy for operation and maintenance. Boilers can be used both for natural and forced circulation heating systems. The security device against overheating is obliged for closed heating systems. It is not necessary for opened heating systems. Boilers with eight sections and more are equipped with the second draft regulator in the rear part of the boiler.

Advantages:

- firewood humidity up to 20%
- high corrosion resistance
- five years boiler block guarantee
- high service life of Czech made cast-iron exchanger
- water-cooled fixed grates
- easy operation and maintenance
- threaded flanges for easy installation
- possibility of additional output change
- boiler output based on sections number

Fuel / fuel humidity:

- coke, 24~60 mm / <15%
- hard coal, 24~60 mm / <15%
- firewood, up to Ø 100 mm / <20%

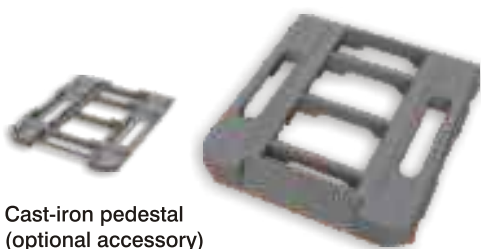
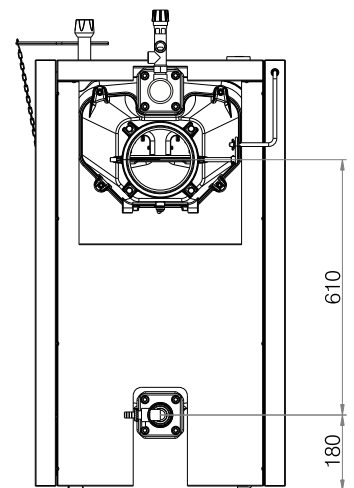
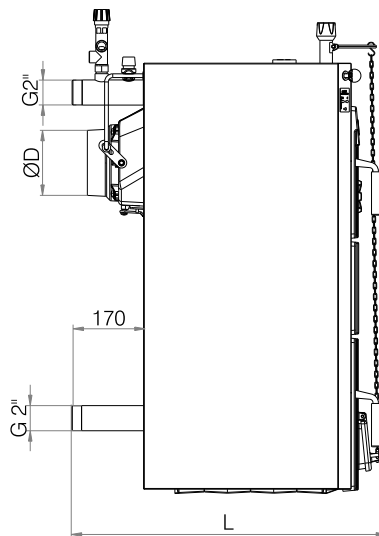
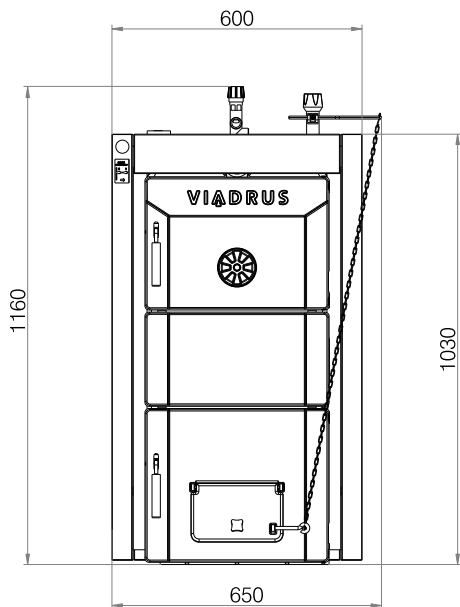
Boiler output (according to section number):

- 12~72 kW



Technical parameters

Section number	pcs	3	4	5	6	7	8	9	10
Boiler class according to EN 303 - 5	-					1			
Rated output according to ČSN 070240	kW	12~16	20~24	27~32	35~40	43~48	50~56	58~64	66~72
Rated output	- coke	kW	15,0	22,5	30,0	37,5	43,5	50,0	56,0
	- hard coal	kW	11,0	16,5	22,5	31,0	39,5	45,5	51,5
	- firewood	kW	8,0	15,8	23,5	28,3	33,0	35,0	40,5
Fuel consumption	- coke	kg/hour	2,4	3,6	4,9	6,1	7,0	8,1	9,1
	- hard coal	kg/hour	1,9	2,8	3,8	5,3	6,7	7,7	8,7
	- firewood	kg/hour	2,6	5,0	7,5	9,0	10,6	11,2	13,0
Efficiency	- coke / hard coal / firewood	%				80 / 75 / 75			
Flue gases temperature	- coke / hard coal / firewood	°C			220~250 / 220~300 / 220~300				
Burning time at one full load	- coke / hard coal / firewood	hours			4 / 4 / 2				
Dimensions	- height x width	mm			1160 x 600				
	- depth L	mm	645	755	865	975	1090	1200	1310
Weight		kg	218	258	298	348	398	448	498
Fire chamber depth		mm	185	295	405	515	625	735	845
Recommended firewood log length		mm	300	300	350	400	500	600	700
Stokehole size		mm			300 x 320				
Chimney connection diameter		mm	156	156	156	156	156	176	176
Chimney draught		Pa	>10	>15	>20	>25	>30	>30	>35
Heating and return water connection		-			2"				
Water working overpressure		kPa			50~400				
Water testing overpressure		kPa			800				
Recommended water working temperature		°C			60~85				
Return water min. temperature		°C			60				
Water volume		l	27,6	33,3	35,0	44,7	50,4	56,1	61,8
Safety after-cooling exchanger cooling water temperature		°C			5~20				
Safety after-cooling exchanger cooling water overpressure		kPa			200~600				
Noise level		dB			<65 dB (A)				



Cast-iron pedestal
(optional accessory)

